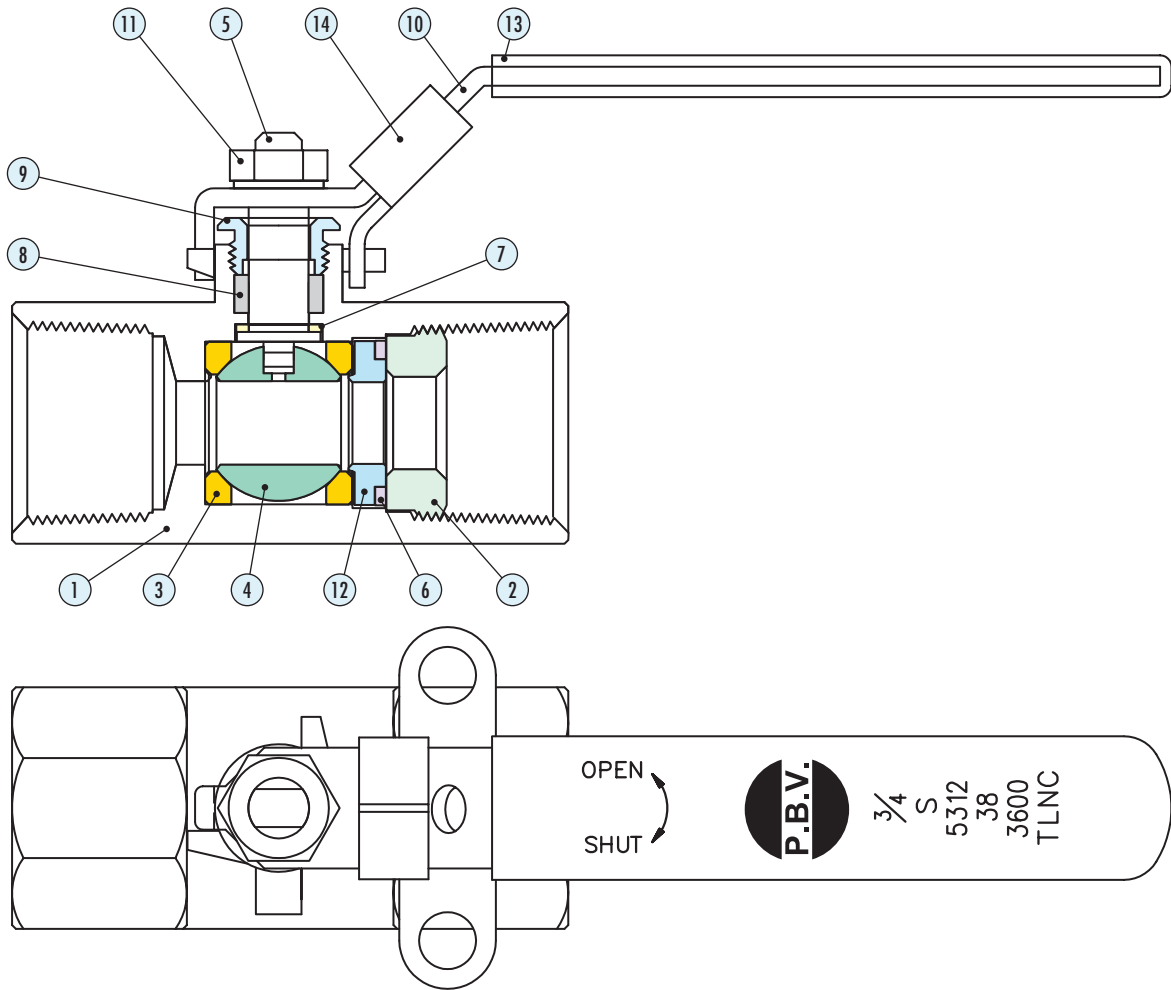


Parts Illustration



Parts & Materials

| Part No | Qty | Part Name | Material Carbon Steel | Material Stainless Steel |
|---------|-----|-----------------|-----------------------|--------------------------|
| 1 | 1 | Body | A216 GR. WCB | A351 GR. CF8M |
| 2 | 1 | Seat Retainer | A216 GR. WCB | A351 GR. CF8M |
| 3 | 2 | Seats | Virgin PTFE | Virgin PTFE |
| 4 | 1 | Ball | S.S. 316 | S.S. 316 |
| 5 | 1 | Stem | S.S. 316 | S.S. 316 |
| 6 | 1 | Joint Gasket | PTFE/Graphite | PTFE/Graphite |
| 7 | 1 | Gasket | PTFE | PTFE |
| 8 | 1 | Seal | PTFE/Graphite | PTFE/Graphite |
| 9 | 1 | Gland | S.S. 304 | S.S. 304 |
| 10 | 1 | Handle | Steel + Zn Plated | Steel + Zn Plated |
| 11 | 1 | Stem Nut | Steel + Zn Plated | Steel + Zn Plated |
| 12 | 1 | Seat Ring | A216 WCB | A351 GR. CF8M |
| 13 | 1 | Plastic Coating | Vinyl | Vinyl |
| 14 | 1 | Lock Latch | Steel + Zn Plated | S.S. 304 |
| 15 | 1 | Oval Handle | S.S. 304 | S.S. 304 |

Break Torques (in.-lbs.)

| Size (in.) | | | | | |
|------------|-----|-----|-----|-------|-----|
| 1/4 - 3/8 | 1/2 | 3/4 | 1 | 1 1/2 | 2 |
| 45 | 45 | 60 | 130 | 230 | 280 |

Pressure Temperature

