

# PBV® 4-Way Multi-Port Features

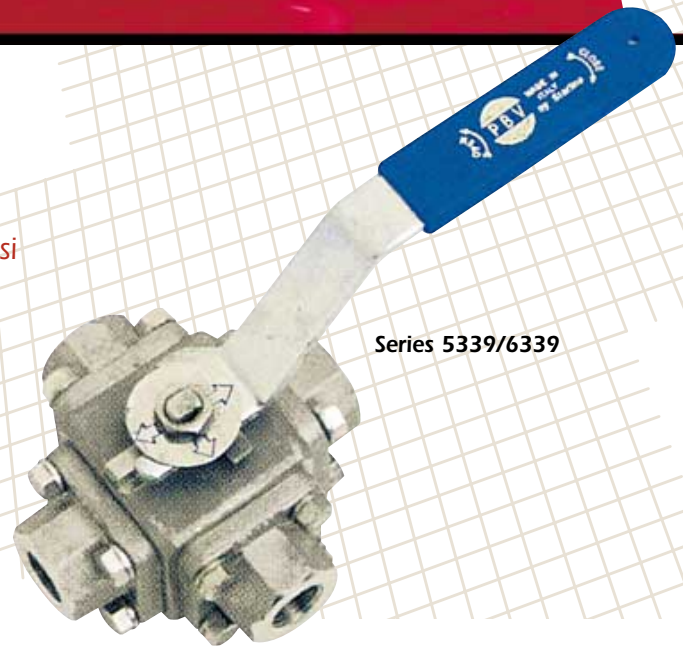
## The PBV® Series 5339 and 6339 Threaded and Socketweld Ball Valves

### Standard Features

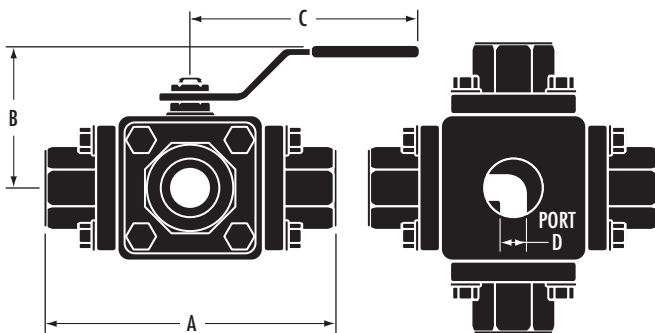
Series 5339: Reduced Port 1/2" thru 3", 1500 psi

Series 6339: Full Port 1/4" thru 2 1/2", 1500 psi

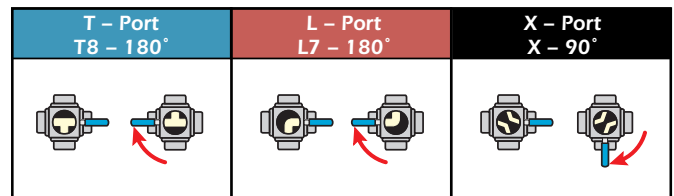
- Four-way bolted construction
- Available in forged A105 and F316 body materials, 316 Stainless Steel ball and stem
- Carbon filled TFE seats
- Double body seals
- Grafoil® packing
- Standard ISO 5211 mounting pad
- NACE MR0175
- Available in T, L or X port configurations



### Dimensional Data (in.)



### Available Port Configurations



### T & L Port Configurations

#### Series 5339, 1/2"-3" Reduced Port

Size (in.)	Dimensions						Wt. (lbs.)
	A (Thrd)	A (SW)	B	C	D		
1/2	4.45	4.45	2.75	6.00	.44	5.0	
3/4	4.70	4.70	2.95	7.60	.56	6.6	
1	5.90	5.90	3.40	7.60	.83	11.0	
1 1/4	6.25	6.25	3.85	8.85	1.00	15.4	
1 1/2	7.15	7.15	4.45	8.85	1.25	22.0	
2	7.90	7.90	4.65	8.85	1.55	30.0	
2 1/2	10.30	11.90	5.30	16.54	1.93	121.3	
3	16.65	16.65	6.50	16.54	2.51	143.3	

#### Series 6339, 1/4"-2 1/2" Full Port

Size (in.)	Dimensions						Wt. (lbs.)
	A (Thrd)	A (SW)	B	C	D		
1/4	4.45	4.45	2.75	6.00	.44	5.0	
3/8	4.45	4.45	2.75	6.00	.44	5.0	
1/2	4.70	4.70	2.95	7.60	.56	6.6	
3/4	5.90	5.90	3.40	7.60	.83	11.0	
1	6.25	6.25	3.85	8.85	1.00	15.4	
1 1/4	7.15	7.15	4.45	8.85	1.25	22.0	
1 1/2	7.90	7.90	4.65	8.85	1.50	30.0	
2	10.30	11.90	5.30	16.54	1.93	121.3	
2 1/2	16.65	16.65	6.50	16.54	2.50	143.3	

### X Port Configurations

#### Series 5339, 1/2"-3" Reduced Port

Size (in.)	Dimensions						Wt. (lbs.)
	A (Thrd)	A (SW)	B	C	D		
1/2	4.70	4.70	2.95	7.60	.25	7.5	
3/4	5.90	5.90	3.40	7.60	.47	12.0	
1	6.25	6.25	3.85	8.85	.71	17.0	
1 1/4	7.20	7.20	4.45	8.85	1.10	23.5	
1 1/2	7.90	7.90	4.65	8.85	1.28	32.0	
2	10.30	11.90	5.30	16.54	1.34	125.0	
2 1/2	16.65	16.65	6.50	16.54	1.65	150.5	

#### Series 6339, 1/4"-2 1/2" Full Port

Size (in.)	Dimensions						Wt. (lbs.)
	A (Thrd)	A (SW)	B	C	D		
1/4	4.70	4.70	2.95	7.60	.25	7.5	
3/8	4.70	4.70	2.95	7.60	.25	7.5	
1/2	5.90	5.90	3.40	7.60	.47	12.0	
3/4	6.25	6.25	3.85	8.85	.71	17.0	
1	7.20	7.20	4.45	8.85	.83	23.5	
1 1/4	7.90	7.90	4.65	8.85	1.10	32.0	
1 1/2	10.30	11.90	5.30	16.54	1.34	125.0	
2	16.65	16.65	6.50	16.54	1.65	150.5	