

# PBV® 3-Way Multi-Port Series

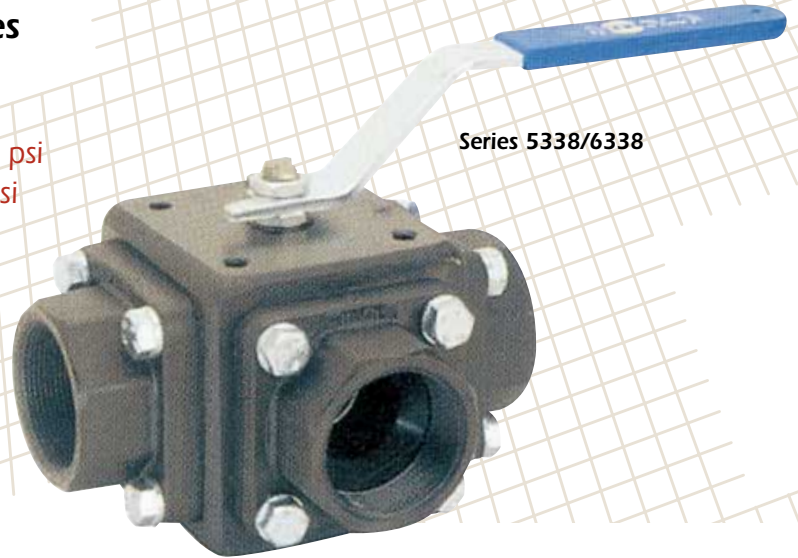
## The PBV® Series 5338 and 6338 Threaded and Socketweld Ball Valves

### Standard Features

Series 5338: Reduced Port 1/2" thru 3", 1500 psi

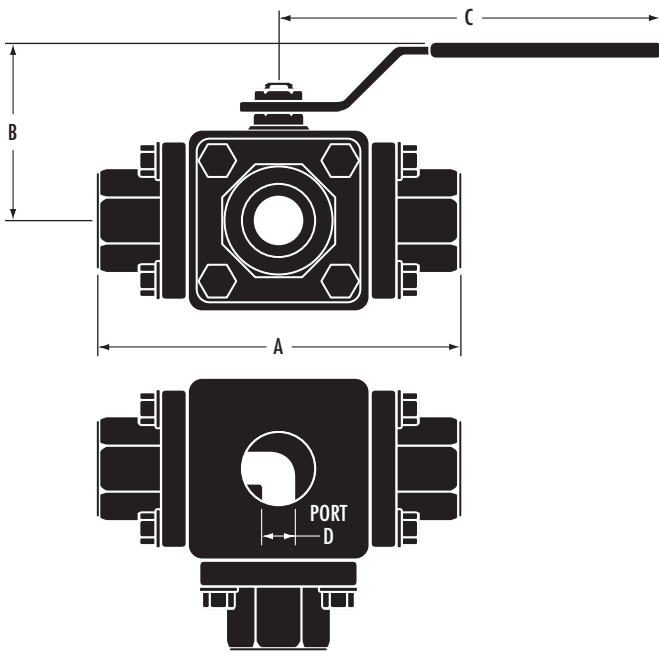
Series 6338: Full Port 1/4" thru 2 1/2", 1500 psi

- Three-way bolted construction
- Available in forged A105 and F316 body materials, 316 Stainless Steel ball and stem
- Carbon filled TFE seats
- Double body seals
- Grafoil® packing
- Standard ISO 5211 mounting pad
- NACE MR0175
- Available in T and L port configurations



Series 5338/6338

### Dimensional Data (in.)



### Series 5338, 1/2"-3" Reduced Port

Size (in.)	Dimensions					Wt. (lbs.)
	A (Thrd)	A (sw)	B	C	D	
1/2	4.45	4.45	2.75	6.00	.44	5.0
3/4	4.70	4.70	3.00	6.00	.56	6.6
1	5.90	5.90	3.40	7.60	.83	11.0
1 1/4	6.25	6.25	3.85	8.85	1.00	15.4
1 1/2	7.15	7.15	4.45	8.85	1.25	22.0
2	7.90	7.90	4.65	8.85	1.50	30.0
2 1/2	10.30	11.90	5.30	16.54	1.93	121.0
3	16.65	16.65	6.50	16.54	2.50	143.0

### Series 6338, 1/4"-2 1/2" Full Port

Size (in.)	Dimensions					Wt. (lbs.)
	A (Thrd)	A (sw)	B	C	D	
1/4	4.45	4.45	2.75	6.00	.44	5.0
3/8	4.45	4.45	2.75	6.00	.44	5.0
1/2	4.70	4.70	3.00	7.60	.56	6.6
3/4	6.00	6.00	3.40	7.60	.83	11.0
1	6.25	6.25	3.85	8.85	1.00	15.4
1 1/4	7.20	7.20	4.45	8.85	1.25	22.0
1 1/2	7.90	7.90	4.65	8.85	1.50	30.0
2	10.30	11.90	5.30	16.54	1.93	121.0
2 1/2	16.65	16.65	6.50	16.54	2.50	143.0

### Available Port Configurations

