

PBV® Super Star Series

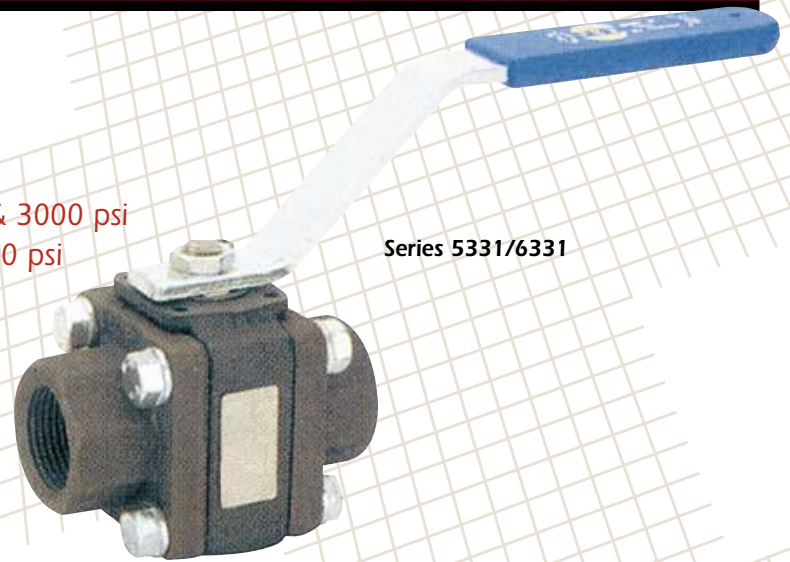
The PBV® Series 5331 and 6331 Threaded Ball Valves

Standard Features

Series 5331: Reduced Port 1/2" thru 4", 2000 & 3000 psi

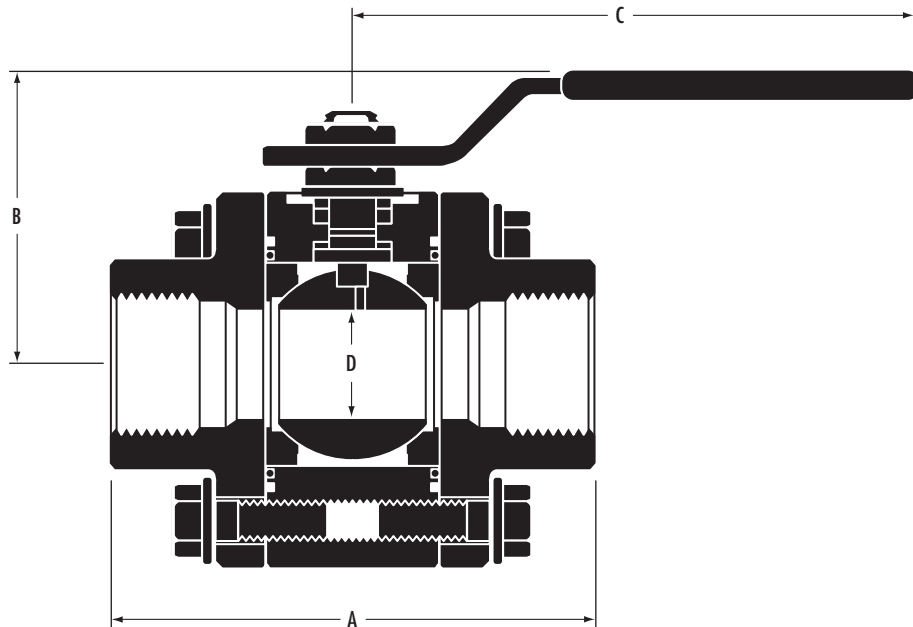
Series 6331: Full Port 1/4" thru 3", 2000 & 3000 psi

- Encapsulated seats
- Three piece bolted construction
- Carbon filled TFE seats; Grafoil® packing
- Double body seals (Grafoil® and PTFE)
- Firesafe to API 607
- NACE MR0175
- Available in forged A105 and F316 body materials, 316 Stainless Steel ball and stem
- ISO 5211 mounting pad
- Welded or integral nipples are available for weld applications



Series 5331/6331

Dimensional Data (in.)



Series 5331, 1/2"-4" Reduced Port or NPT

Size (in.)	Dimensions				Wt. (lbs.)
	A	B	C	D	
1/2	2.95	2.64	6.00	.44	2.2
3/4	3.15	2.75	6.00	.56	2.6
1	3.95	3.15	7.60	.83	4.8
1 1/4	4.25	3.62	7.60	1.00	6.8
1 1/2	4.75	4.25	8.85	1.25	9.2
2	5.50	4.45	8.85	1.50	12.1
2 1/2	5.55	4.65	8.85	1.95	19.8
3	6.70	5.35	13.75	2.45	26.4
4	9.00	5.90	19.70	3.00	35.2

Series 6331, 1/4"-3" Full Port or NPT

Size (in.)	Dimensions				Wt. (lbs.)
	A	B	C	D	
1/4	2.95	2.64	6.00	.44	2.4
3/8	2.95	2.64	6.00	.44	2.2
1/2	3.15	2.75	6.00	.56	2.8
3/4	3.95	3.15	7.60	.83	5.0
1	4.35	3.62	7.60	1.00	7.0
1 1/4	4.75	4.25	8.85	1.25	9.5
1 1/2	5.50	4.45	8.85	1.50	12.8
2	5.55	4.65	8.85	2.00	22.0
2 1/2	6.70	5.35	13.75	2.50	29.7
3	12.00	5.90	19.70	3.10	38.5

NOTE: Socketweld valves larger than 2 1/2" are supplied with either 4" or 6" welded nipple ends. Dimensions are available upon request. Socketweld ends without nipple extensions will result in seat damage during welding for sizes smaller than 2 1/2".