

"The Patch", Quality Valves Built for Extreme Oil Field Service

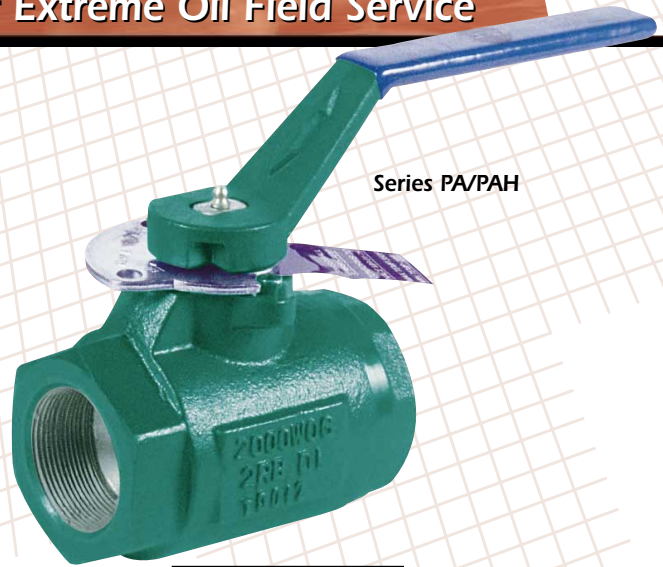
The PBV® Series PA and PAH Threaded Cast Floating Ball Valves

Standard Features

Series PA: 1" FP thru 4" RP at 1000 to 1500 psi WOG

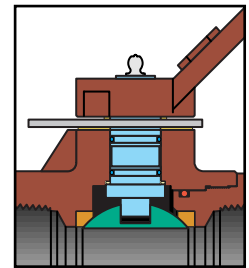
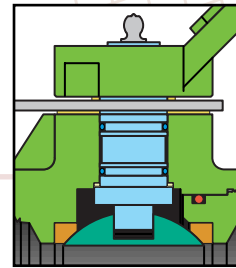
Series PAH: 1" FP and 2" RP at 2000 psi WOG

- 316 Stainless Steel Trim
- Locking Devices for added security
- Two-piece construction
- Blowout proof stem design
- Seats and Seals to your specifications
- Grease fitting on stem allows constant lubrication and protection against corrosion and moisture.
- Meets Nace MR0175 2002

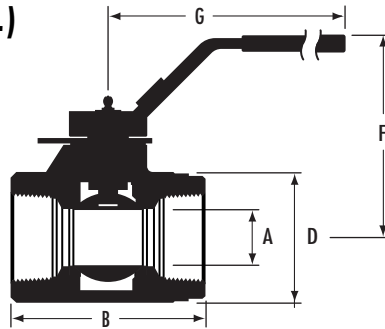


Series PA/PAH

Blowout proof backseated Stem for added safety.



Dimensional Data (in.)



Rugged handle and superior wall thickness for tough oilpatch applications.

Contents

Series PA/PAH

- Features, Dimensional Data 2
- Parts & Engineering Data 3

Series PC/PCH/PCL/PCXH And All SS PCSH

- Features, Dimensional Data 4
- Parts & Engineering Data 5

Economical Series PE

- Features, Dimensional Data 6
- Parts & Engineering Data 7

- Warranty 8

Series PA, ASTM A395 Ductile Iron								
Valve Size	Pressure (psi)	A	B	D	F	G	Weight (Lbs)	Order Figure Numbers
1x1	1500	1	4	2 ²⁷ / ₆₄	3 ⁹ / ₆₄	6 ¹⁹ / ₆₄	4	PA-NV
1½x1½	1500	1½	5½	3½	5 ¹⁷ / ₃₂	8½	13	PA-NV
2x1½	1500	1½	5½	3½	5 ¹⁷ / ₃₂	8½	13	PA-NV
2x2	1500	2	6	4 ¹⁹ / ₆₄	5 ²⁹ / ₃₂	8½	20	PA-NV
2½x2½	1500	2 ⁹ / ₁₆	7	5 ¹³ / ₆₄	6 ¹⁹ / ₃₂	15	30	PA-NV
3x2	1500	2	7 ¹⁹ / ₆₄	4 ²⁹ / ₆₄	5 ²⁹ / ₃₂	8½	19	PA-NV
3x3	1000	3	8¾	5 ⁵ / ₈	6 ⁷ / ₈	15	44	PA-NV
4x3	1000	3	8¾	5 ⁵ / ₈	6 ⁷ / ₈	15	40	PA-NV

Series PAH, ASTM A395 Ductile Iron								
Valve Size	Pressure (psi)	A	B	D	F	G	Weight (Lbs)	Order Figure Numbers
1x1	2000	1	4	2 ²⁷ / ₆₄	3 ⁹ / ₆₄	6 ¹⁹ / ₆₄	4	PAH-NV
2x1½	2000	1½	5½	3½	5 ¹⁷ / ₃₂	8½	12	PAH-NV

The Cast Solution for Pressures from 1500 up to 5000 psi

The PBV® Series PC/PCH/PCL/PCXH Cast Steel Floating Ball Valves And the All Stainless Steel PCSH For Corrosive Applications

Standard Features

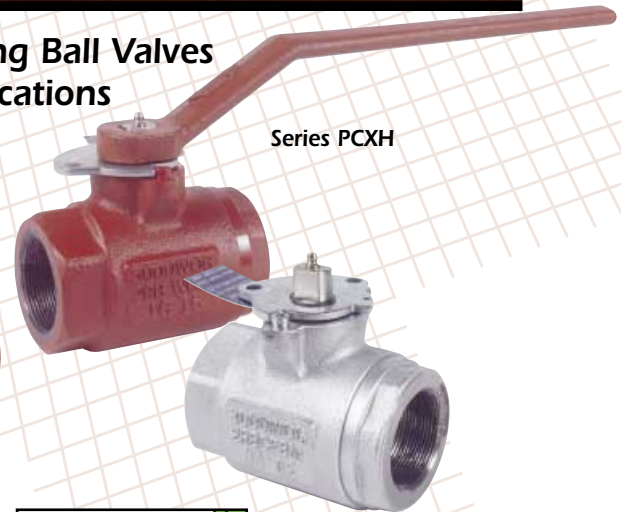
- Series PC/PCL: 1" FP thru 4" RP at 1500 to 2500 psi WOG
- Series PCH: 1" FP thru 2 1/2" FP at 3000 psi WOG
- Series PCXH: 2" RP at 5000 psi WOG
- Series PCSH: 2" RP and 2" FP at 3000 psi WOG

- 316 Stainless Steel Trim
- Locking Devices for added security
- Two-piece construction
- Blowout proof stem design
- Seats and Seals to your specifications
- Grease fitting on stem allows constant lubrication and protection against corrosion and moisture.
- Meets Nace MR0175 2002

Series PC/PCH

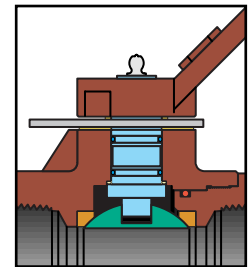
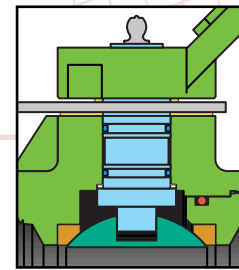


Series PCXH



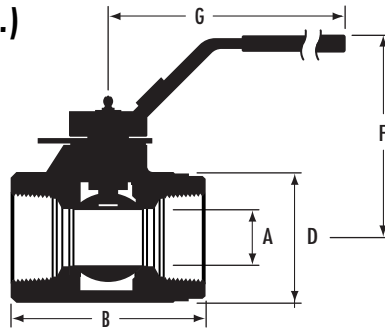
Series PCSH

Blowout proof backseated
Stem for added safety.



Rugged handle and superior
wall thickness for tough
oilpatch applications.

Dimensional Data (in.)



Series PC, ASTM A216 Gr. WCB ■ Series PCL, ASTM A352 Gr. LCC

Valve Size	Pressure (psi)	A	B	D	F	G	Weight (Lbs)	Order Figure Numbers
1x1	2500	1	4	2 ²⁷ / ₆₄	3 ⁹ / ₆₄	6 ¹⁹ / ₆₄	4	PC-NV
1 1/2x1 1/2	2500	1 1/2	5 1/2	3 1/2	5 ¹⁷ / ₃₂	8 1/2	14	PC-NV
2x1 1/2	2500	1 1/2	5 1/2	3 1/2	5 ¹⁷ / ₃₂	8 1/2	13	PC-NV
2x2	2160	2	6	4 ¹⁹ / ₆₄	5 ²⁹ / ₃₂	8 1/2	20	PC-NV
2 1/2x2 1/2	2160	2 ⁹ / ₁₆	7	5 ¹³ / ₆₄	6 ¹⁹ / ₃₂	15	32	PC-NV
3x2	2160	2	7 ¹⁹ / ₆₄	4 ²⁹ / ₆₄	5 ²⁹ / ₃₂	8 1/2	23	PC-NV
3x3	1500	3	8 ³ / ₄	5 ⁵ / ₈	6 ⁷ / ₈	15	50	PC-NV
4x3	1500	3	8 ³ / ₄	5 ⁵ / ₈	6 ⁷ / ₈	15	45	PC-NV
4x4	750	4 ¹ / ₁₆	9 ³ / ₈	7 1/2	7 ⁷ / ₈	18 ⁷ / ₆₄	71	PC-NV

Series PCH, ASTM A216 Gr. WCB

Valve Size	Pressure (psi)	A	B	D	F	G	Weight (Lbs)	Order Figure Numbers
1x1	3000	1	4	2 ²⁷ / ₆₄	3 ⁹ / ₆₄	6 ¹⁹ / ₆₄	4	PCH-NV
2x1 1/2	3000	1 1/2	5 1/2	3 1/2	5 ¹⁷ / ₃₂	8 1/2	13	PCH-NV
2x2	3000	2	6	4 ¹⁹ / ₆₄	5 ²⁹ / ₃₂	8 1/2	20	PCH-NV

Series PCXH, ASTM A216 Gr. WCB

Valve Size	Pressure (psi)	A	B	D	F	G	Weight (Lbs)	Order Figure Numbers
2x1 1/2	5000	1 1/2	5 1/2	3 1/2	5 ¹⁷ / ₃₂	8 1/2	15	PCXH-NV

Series PCSH, Stainless Steel CF8M

Valve Size	Pressure (psi)	A	B	D	F	G	Weight (Lbs)	Order Figure Numbers
2x1 1/2	3000	1 1/2	5 1/2	3 1/2	5 ¹⁷ / ₃₂	8 1/2	14	PCSH-NV
2x2	3000	2	6	4 ¹⁹ / ₆₄	5 ²⁹ / ₃₂	8 1/2	20	PCSH-NV



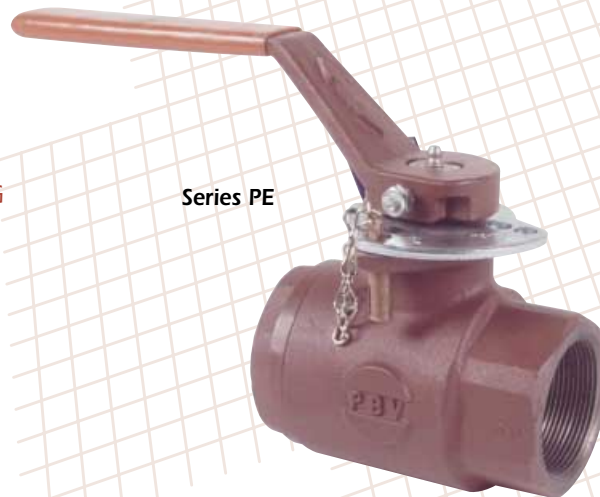
The Economical Solution for Pressures from 750 to 1000 psi

The PBV® Series PE Cast Floating Ball Valves

Standard Features

Series PE: 2", 3 and 4" RP at 750 to 1000 psi WOG

- 316 Stainless Steel Trim
- Two-piece construction
- Blowout proof stem design
- Seats and Seals to your specifications
- Grease fitting on stem allows constant lubrication and protection against corrosion and moisture.
- Reinforced second generation, high performance Teflon® TFM seat
- Meets Nace MR0175 2002

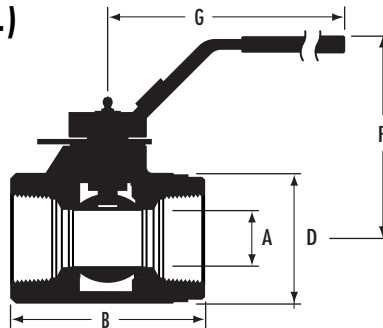


Dual locking devices are standard for material custody transfer applications.



Ideally suited for tank battery and production lines replacing lubricated cast iron plug valves.

Dimensional Data (in.)



Series PE, ASTM A395 Ductile Iron									
Valve Size	Pressure (psi)	A	B	D	F	G	Weight (Lbs)	Order Figure Numbers	
2 x 1 1/2	1000	1 1/2	5 1/2	3 1/2	5 17/32	8 1/2	13	PE-CV	
3 x 2	750	2	7 19/64	4 29/64	5 29/32	8 1/2	17	PE-CV	
4 x 3	750	3	8 3/4	5 5/8	6 7/8	15	36	PE-CV	

All PBV® Valves are manufactured in strict conformance with the following Industry Standards:

- ISO 9001 Quality System
- NACE MR0175 2002 Sulfide Stress Cracking Resistant Metallic Materials for Oil Field Equipment
- Canadian Registration Number (CRN) Products Registered in all Provinces and Territories