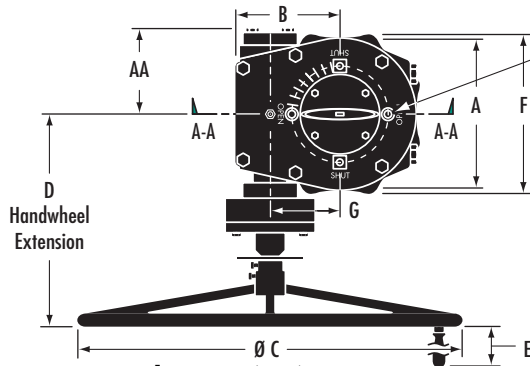
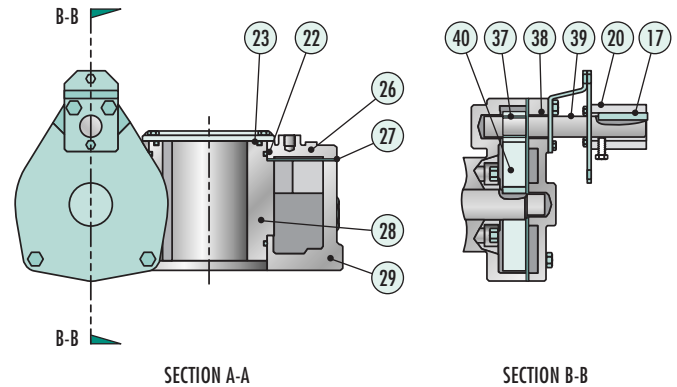
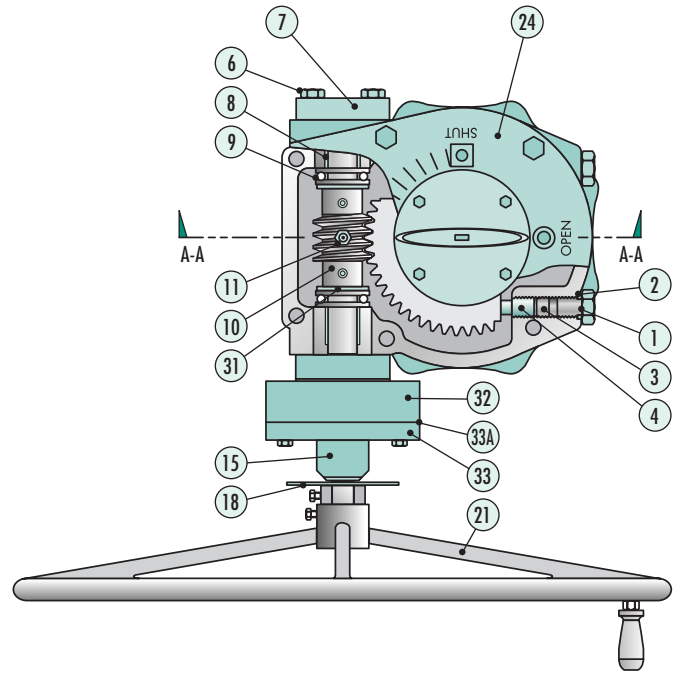


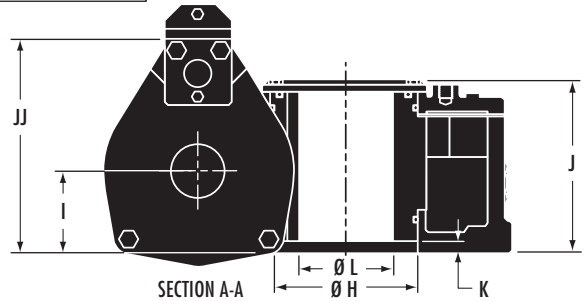
Zy-Gear WG308 Worm Gear Operator

Parts And Materials

Item	Part Name	Material
1	Cover	Carbon Steel
2	O-Ring	Nitrile
3	Lock Screw	Carbon Steel
4	Stop Screw	Carbon Steel
6	Hex Bolt	Carbon Steel
7	End Cap	Carbon Steel
8	Bearing	PTFE and Carbon Steel
9	Thrust Bearing	Commercial
10	Worm	AISI 4135
11	Grease Fitting	Brass
15	Lock Bracket	Carbon Steel
17	Key	Carbon Steel
18	Lock Plate	Carbon Steel
20	Square Nut	Carbon Steel
21	Handwheel	Carbon Steel
22	O-Ring	Nitrile
23	Lip Seal	Nitrile
24	Indicator Plate	Cast Iron
26	Cover	Cast Iron
27	Gasket	Rubber
28	Worm Gear	Ductile Iron
29	Housing	Cast Iron
31	Bushing	Carbon Steel
32	Housing (Spur)	Cast Iron
33	Cover (Spur)	Cast Iron
33A	Gasket	Rubber
37	Bearing	Dubase Alloy
38	O-Ring	Nitrile
39	Input Shaft	AISI 4135
40	Spur Gear	Carbon Steel



Tapped Holes • 4 x 1/2" UNC
Bolt Circle • 7.48"



Dimensional Data (in.)

Model	Wt. (lb.)*	A	AA	B	C	D	E	F	G	H	I	J	JJ	K	L
WG308	201	12.00	6.73	8.21	18	17.4	4.00	12.30	5.43	5.32	3.03	6.43	7.90	0.47	2.25
					24	20.8									
					30	21.9									

*Approximate weight without handwheel.