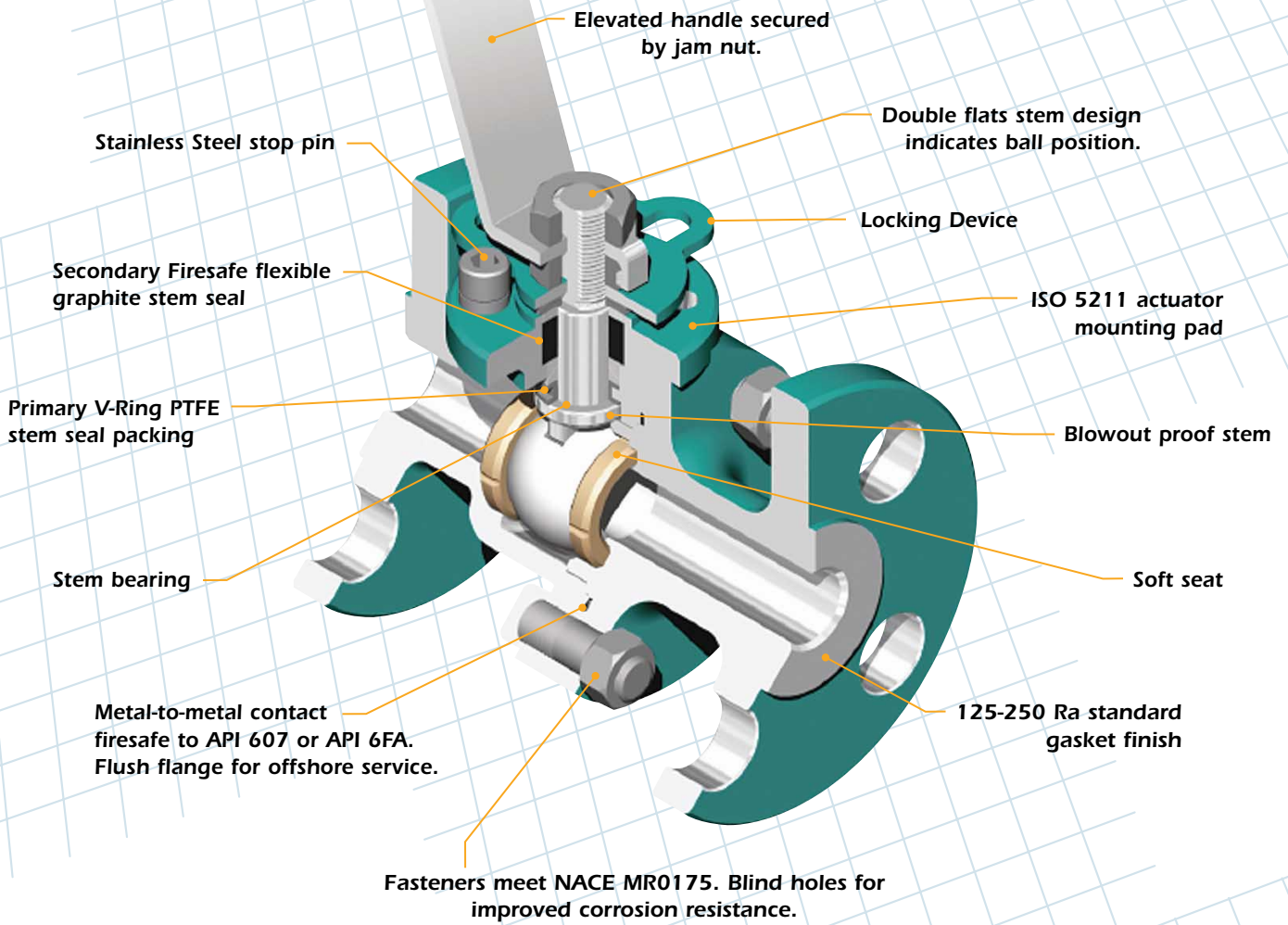


Series 4400 Regular Port, 2 pc Body Stem Packing Ball Valves

This is an illustrated cross section of a typical PBV®-USA full port, 2 pc body, floating ball valve exhibiting standard design features. The actual design of a particular valve may be slightly different from this illustration depending on its size and pressure class.



All PBV® Flanged Floating Ball Valves are designed to precise engineering standards and PBV® employs a stringent multi-point inspection program throughout the entire manufacturing process to insure product quality.



You can learn more about PBV®'s Floating Flanged product line, their manufacturing capabilities and Zy-Tech's other quality valve products at our website www.zy-tech.com.

