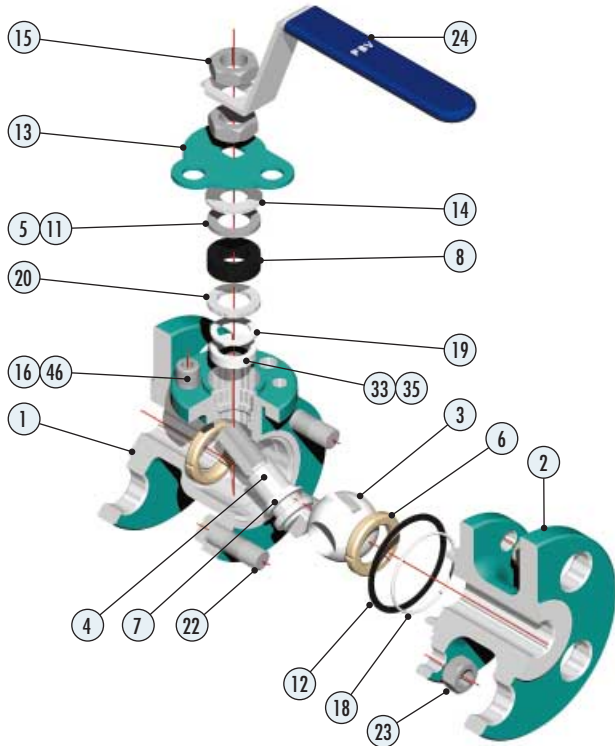


Parts and Materials for Stem Packing Design Valves

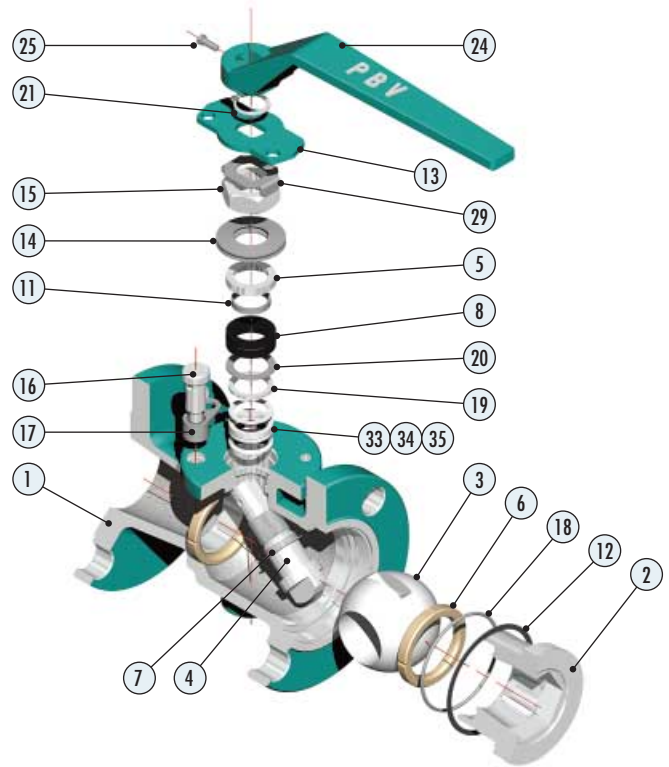


Series 6400, 1/2"-1", Class 150, 300 & 600
 Series 4400, 3/4"-1 1/2", Class 600
 Series 5400, 3/4"-1 1/2", Class 150, 300 & 600

Standard Material Configuration

Item No.	Description	Material		
1	Body	WCB	LCC	CF8M
2	Cap/Insert*	WCB	LCC	CF8M
3	Ball	ASTM A351 CF8M		
4	Stem	17-4 PH		
5	Gland	Stainless Steel		
6	Ball Seat	TFM/TFMC		
7	Stem Bearing	G/F PTFE		
8	Secondary Packing	Flexible Graphite		
11	Gland Bearing	PTFE		
12	Body Gasket	Graphite		
13	Stop Plate/Lock Device	Stainless Steel		
14	Spring Washer	Stainless Steel		
15	Jam Nut	Stainless Steel		
16	Stop	17-4 PH		
18	Body O-Ring	Virgin PTFE		
19	Primary Packing Washer	Stainless Steel		
20	Secondary Packing Washer	Stainless Steel		
22	Stud	B7M	L7M	B8
23	Nut	2HM	L7	8
24	Handle	Stainless Steel		
26	ID Tag (not shown)	Stainless Steel		
27	ID Drive Screw (not shown)	Stainless Steel		
33	Primary Packing (Top)	Virgin PTFE		
35	Primary Packing (Bottom)	Virgin PTFE		
46	Lock Washer	Stainless Steel		

*Series 5400 not shown.

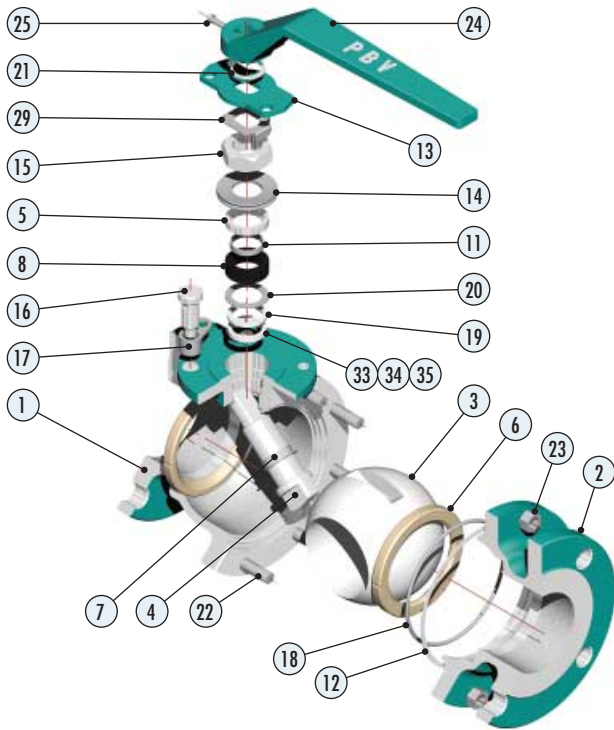


Series 5400, 2"-4", Class 150 & 300

Standard Material Configuration

Item No.	Description	Material		
1	Body	WCB	LCC	CF8M
2	Insert	WCB	LCC	CF8M
3	Ball	ASTM A351 CF8M		
4	Stem	ASTM A276 316		
5	Gland	Stainless Steel		
6	Ball Seat	TFM		
7	Stem Bearing	G/F PTFE		
8	Secondary Packing	Flexible Graphite		
11	Gland Bearing	G/F PTFE		
12	Body Gasket	Graphite		
13	Stop Plate/Lock Device	Stainless Steel		
14	Spring Washer	Stainless Steel		
15	Jam Nut	Stainless Steel		
16	Stop	17-4 PH		
17	Lock Plate	Stainless Steel		
18	Body O-Ring	Virgin PTFE		
19	Primary Packing Washer	G/F PTFE		
20	Secondary Packing Washer	Stainless Steel		
21	Snap Ring	Stainless Steel		
24	Handle	Ductile Iron		
25	Handle Screw	Carbon Steel		
26	ID Tag (not shown)	Stainless Steel		
27	ID Drive Screw (not shown)	Stainless Steel		
29	Nut Lock Plate	Stainless Steel		
33	Primary Packing (Top)	Virgin PTFE		
34	Primary Packing (Middle)	Virgin PTFE		
35	Primary Packing (Bottom)	Virgin PTFE		

Parts and Materials for Stem Packing Design Valves

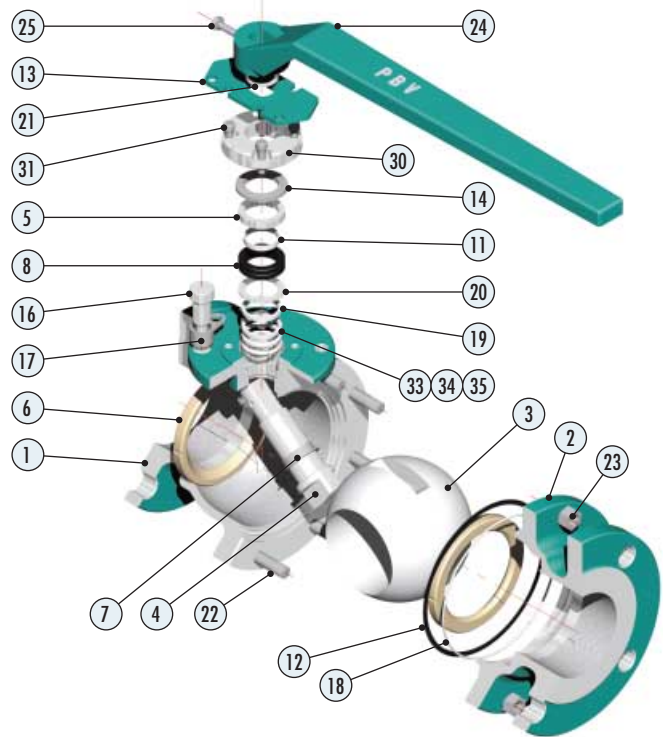


Series 6400, 1¹/₂-2", Class 150, 300 & 600
Series 4400, 2"-3", Class 150, 300 & 600

Standard Material Configuration

Item No.	Description	Material		
		WCB	LCC	CF8M
1	Body	WCB	LCC	CF8M
2	Cap	WCB	LCC	CF8M
3	Ball	ASTM A351 CF8M		
4	Stem	ASTM A276 316		
5	Gland	Stainless Steel		
6	Ball Seat	TFM/TFMC		
7	Stem Bearing	G/F PTFE		
8	Secondary Packing	Flexible Graphite		
11	Gland Bearing	G/F PTFE		
12	Body Gasket	Graphite		
13	Stop Plate/Lock Device	Stainless Steel		
14	Spring Washer	Stainless Steel		
15	Jam Nut	Stainless Steel		
16	Stop	AISI 304	17-4 PH	
17	Lock Plate	Stainless Steel		
18	Body O-Ring	Virgin PTFE		
19	Primary Packing Washer	G/F PTFE		
20	Secondary Packing Washer	Stainless Steel		
21	Snap Ring	Stainless Steel		
22	Stud	B7M	L7M	B8
23	Nut	2HM	L7	8
24	Handle	Ductile Iron		
25	Handle Screw	Carbon Steel		
26	ID Tag (not shown)	Stainless Steel		
27	ID Drive Screw (not shown)	Stainless Steel		
29	Nut Lock Plate	Stainless Steel		
33	Primary Packing (Top)	Virgin PTFE		
34	Primary Packing (Middle)	Virgin PTFE		
35	Primary Packing (Bottom)	Virgin PTFE		

Note: 1. Gear is optional.



Series 6400, 3"-10", Class 150 & 300, 3"-4", Class 600
Series 4400, 4"-10", Class 150 & 300, 4"-6", Class 600
Series 5400, 6"-12", Class 150 & 300

Standard Material Configuration

Item No.	Description	Material		
		WCB	LCC	CF8M
1	Body (Note 3)	WCB	LCC	CF8M
2	Cap/Insert (Note 3)	WCB	LCC	CF8M
3	Ball	ASTM A351 CF8M		
4	Stem	ASTM A276 316		
5	Gland	Stainless Steel		
6	Ball Seat	TFM/TFMC		
7	Stem Bearing	G/F PTFE		
8	Secondary Packing	Flexible Graphite		
11	Gland Bearing	G/F PTFE		
12	Body Gasket	Graphite		
13	Stop Plate/Lock Device	Stainless Steel		
14	Spring Washer	Stainless Steel		
16	Stop	17-4 PH		
17	Lock Plate	Stainless Steel		
18	Body O-Ring	Virgin PTFE		
19	Primary Packing Washer	G/F PTFE		
20	Secondary Packing Washer	Stainless Steel		
21	Snap Ring	Stainless Steel		
22	Stud	B7M	L7M	B8
23	Nut	2HM	L7	8
24	Handle	Ductile Iron		
25	Handle Screw	Carbon Steel		
26	ID Tag (not shown)	Stainless Steel		
27	ID Drive Screw (not shown)	Stainless Steel		
30	Gland Plate	Stainless Steel		
31	Socket Head Screw	Stainless Steel		
33	Primary Packing (Top)	Virgin PTFE		
34	Primary Packing (Middle)	Virgin PTFE		
35	Primary Packing (Bottom)	Virgin PTFE		

Note: 1. 8" & 10" use bar type handle.

2. Gear is optional.

3. Series 5400 body and insert design same as 2"-4" illustration on page 15.