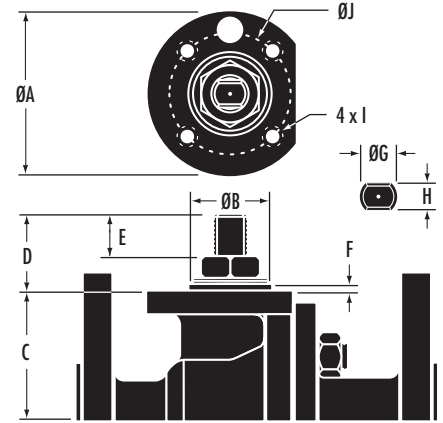


# Actuator Mounting Data, Series 4400, 5400 & 6400, Class 150, 300 & 600

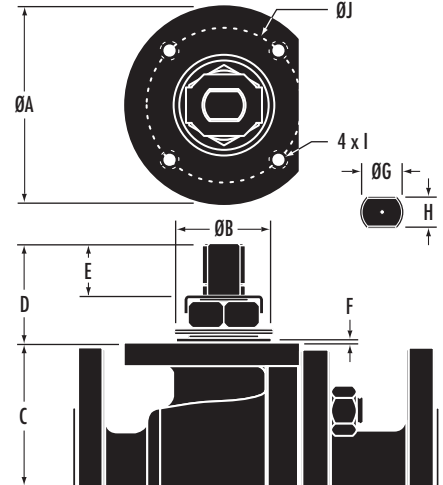
## Series 4400, 5400 & 6400, 1/2"-1 1/2", Class 150, 300 & 600 (in.)

Valve Size	A	B	C	D	E	F	G +000/ -003	H +000/ -003	I	J	ISO 5211
	<b>Series 6400, Class 150/300, 1/2"-1"</b>										
1/2	1.97	0.984	1.54	1.04	0.33	0.08	0.437	0.314	1/4-20 UNC	1.42	F03
3/4	1.97	0.984	1.64	1.04	0.33	0.08	0.437	0.314	1/4-20 UNC	1.42	F03
1	2.56	1.378	1.98	1.18	0.34	0.08	0.500	0.394	1/4-20 UNC	2.00	F05
<b>Series 6400, Class 600, 1/2"-1"</b>											
1/2	1.97	0.984	1.54	1.04	0.33	0.08	0.437	0.314	1/4-20 UNC	1.42	F03
3/4	1.97	0.984	1.65	1.04	0.33	0.08	0.437	0.314	1/4-20 UNC	1.42	F03
1	2.56	1.378	1.98	1.18	0.34	0.08	0.500	0.394	1/4-20 UNC	2.00	F05
<b>Series 5400, Class 150/300, 3/4"-1 1/2"</b>											
3/4	1.97	0.984	1.02	0.78	0.27	0.06	0.313	0.197	1/4-20 UNC	1.42	F03
1	2.20	0.984	1.26	0.90	0.31	0.08	0.375	0.236	1/4-20 UNC	1.65	F04
1 1/2	2.56	1.378	2.12	1.19	0.34	0.08	0.500	0.394	1/4-20 UNC	2.00	F05
<b>Series 4400, Class 600, 3/4"-1 1/2"</b>											
3/4	1.97	0.984	1.54	1.04	0.33	0.08	0.437	0.314	1/4-20 UNC	1.42	F03
1	1.97	0.984	1.65	1.04	0.33	0.08	0.437	0.314	1/4-20 UNC	1.42	F03
1 1/2	2.56	1.378	1.98	1.19	0.34	0.08	0.500	0.394	1/4-20 UNC	2.00	F05



## Series 4400, 5400 & 6400, 1 1/2"-4", Class 150, 300 & 600 (in.)

Valve Size	A	B	C	D	E	F	G +000/ -003	H +000/ -003	I	J	ISO 5211
	<b>Series 6400, Class 150/300, 1 1/2"-2"</b>										
1 1/2	3.54	1.771	2.59	1.79	0.71	0.08	0.767	0.551	5/16-18 UNC	2.75	F07
2	3.54	1.771	3.48	2.19	1.07	0.08	0.906	0.669	5/16-18 UNC	2.75	F07
<b>Series 6400, Class 600, 1 1/2"-2"</b>											
1 1/2	3.54	1.771	2.59	1.79	0.71	0.08	0.767	0.551	5/16-18 UNC	2.75	F07
2	3.54	1.771	3.48	2.19	1.07	0.08	0.906	0.669	5/16-18 UNC	2.75	F07
<b>Series 5400, Class 150/300, 2"-4"</b>											
2	3.54	1.771	2.55	1.79	0.71	0.08	0.767	0.551	5/16-18 UNC	2.75	F07
3	3.54	1.771	3.69	2.15	1.06	0.08	0.906	0.669	5/16-18 UNC	2.75	F07
4	3.54	1.771	4.26	2.15	1.06	0.08	0.906	0.669	5/16-18 UNC	2.75	F07
<b>Series 4400, Class 150/300, 2"-3"</b>											
2	3.54	1.771	2.59	1.79	0.71	0.08	0.767	0.551	5/16-18 UNC	2.75	F07
3	3.54	1.771	3.48	2.19	1.06	0.08	0.906	0.669	5/16-18 UNC	2.75	F07
<b>Series 4400, Class 600, 2"-3"</b>											
2	3.54	1.771	2.59	1.79	0.71	0.08	0.767	0.551	5/16-18 UNC	2.75	F07
3	3.54	1.771	3.48	2.19	1.06	0.08	0.906	0.669	5/16-18 UNC	2.75	F07



## Series 4400, 5400 & 6400, 3"-12", Class 150, 300 & 600 (in.)

Valve Size	A	B	C	D	E	F	G +000/ -003	H +000/ -003	I	J	ISO 5211
	<b>Series 6400, Class 150/300, 3"-10"</b>										
3	4.92	2.755	4.30	2.21	1.03	0.08	0.906	0.669	3/8-16 UNC	4.00	F10
4	5.90	3.346	5.31	2.52	1.10	0.08	1.279	0.905	1/2-13 UNC	4.95	F12
6	6.88	3.937	7.05	3.32	1.72	0.08	1.633	1.062	5/8-11 UNC	5.50	F14
8	8.26	4.724	9.09	3.88	2.00	0.08	1.870	1.259	3/4-10 UNC	6.50	F16
10	8.26	4.724	11.02	4.08	2.21	0.08	2.283	1.496	3/4-10 UNC	6.50	F16
<b>Series 6400, Class 600, 3"-4"</b>											
3	5.90	3.346	4.65	2.54	1.11	0.08	1.279	0.906	1/2-13 UNC	4.95	F12
4	5.90	3.937	5.83	3.43	1.73	0.08	1.633	1.062	1/2-13 UNC	4.95	F12
<b>Series 5400, Class 150/300, 6"-12"</b>											
6	5.90	3.346	5.83	2.52	1.10	0.08	1.279	0.905	1/2-13 UNC	4.95	F12
8	6.88	3.937	7.02	3.30	1.72	0.08	1.633	1.062	5/8-11 UNC	5.50	F14
10	8.26	4.724	8.51	3.88	2.00	0.08	1.870	1.259	3/4-10 UNC	6.50	F16
12	8.26	4.724	10.24	4.06	2.19	0.08	2.283	1.496	3/4-10 UNC	6.50	F16
<b>Series 4400, Class 150/300, 4"-10"</b>											
4	4.92	2.755	4.30	2.21	1.03	0.08	0.906	0.669	3/8-16 UNC	4.00	F10
6	5.90	3.346	5.31	2.52	1.10	0.08	1.279	0.905	1/2-13 UNC	4.95	F12
8	6.89	3.937	7.05	3.32	1.72	0.08	1.633	1.062	5/8-11 UNC	5.50	F14
10	8.26	4.724	9.09	3.88	2.00	0.08	1.870	1.259	3/4-10 UNC	6.50	F16
<b>Series 4400, Class 600, 4"-6"</b>											
4	5.90	3.346	4.65	2.54	1.11	0.08	1.279	0.906	1/2-13 UNC	4.95	F12
6	5.90	3.937	5.83	3.43	1.73	0.08	1.633	1.062	1/2-13 UNC	4.95	F12

