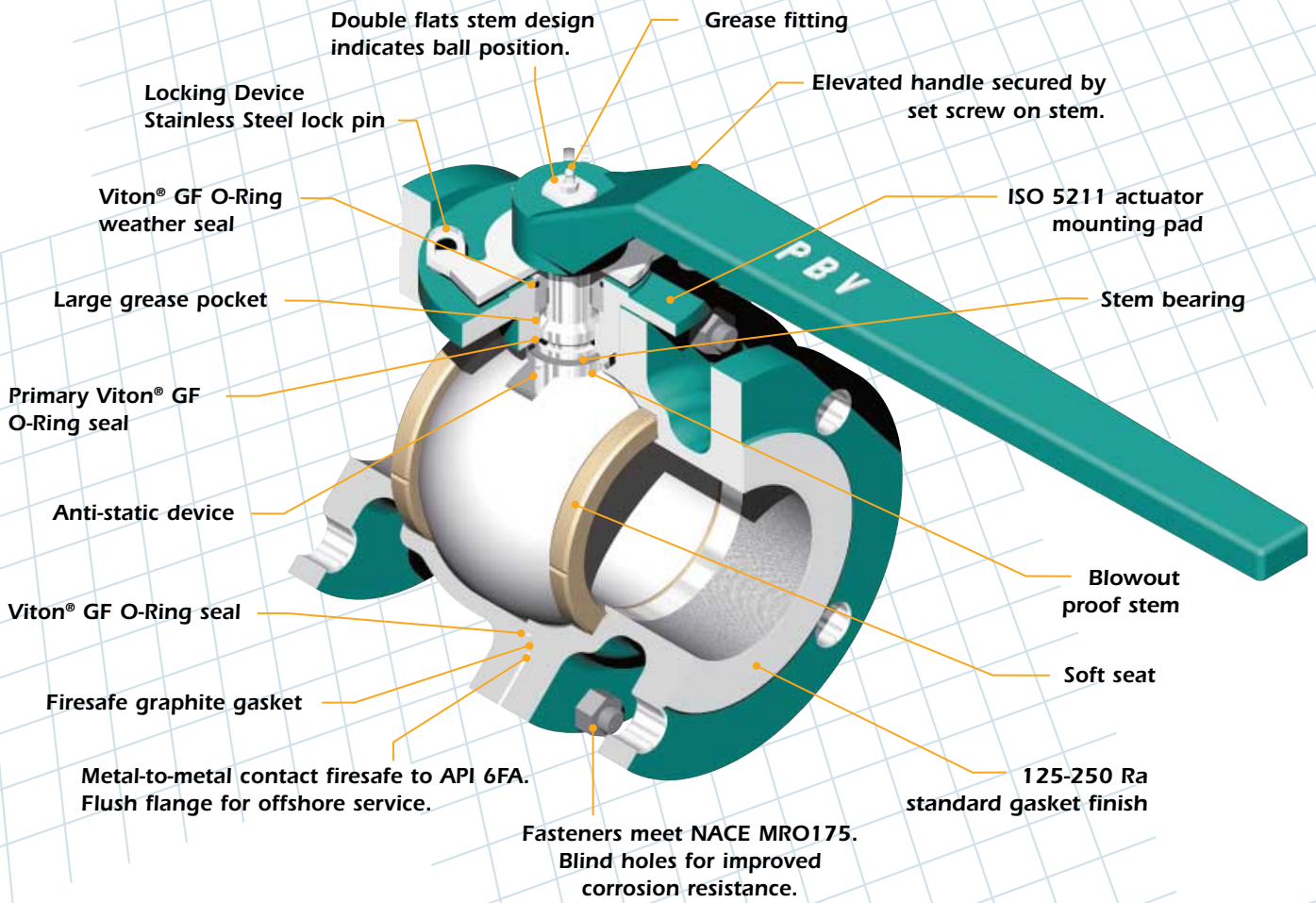


Series 4500 Regular & 6500 Full Port, 2 pc O-Ring Stem Ball Valves ■ API 6D

This is an illustrated cross section of a typical PBV®-USA full port, 2 pc body, floating ball valve exhibiting standard design features. The actual design of a particular valve may be slightly different from this illustration depending on its size and pressure class.



Series 4500 Dimensional Data, Class 150, 300 & 600

Series 4500, 1 1/2"-6", Class 150, 300 & 600 (in.)

Valve Size	A	B	C	D	E	F	G	NxøH	I	J	L
Class 150, 1 1/2"-6"											
1 1/2	0.97	1.50	2.88	5.00	0.06	0.56	6.50	4xø.62	3.88	4.34	7.50
2	1.50	2.00	3.62	6.00	0.06	0.62	7.00	4xø.75	4.75	5.10	9.00
3	2.00	3.00	5.00	7.50	0.06	0.75	8.00	4xø.75	6.00	6.22	16.50
4	3.00	4.00	6.19	9.00	0.06	0.94	9.00	8xø.75	7.50	7.10	16.50
6	4.00	6.00	8.50	11.00	0.06	1.00	15.50	8xø.88	9.50	7.75	19.70
Class 300, 1 1/2"-6"											
1 1/2	0.97	1.50	2.88	6.12	0.06	0.81	7.50	4xø.88	4.50	4.34	7.50
2	1.50	2.00	3.62	6.50	0.06	0.88	8.50	8xø.75	5.00	5.00	9.00
3	2.00	3.00	5.00	8.25	0.06	1.12	11.12	8xø.88	6.62	6.83	16.50
4	3.00	4.00	6.19	10.00	0.06	1.25	12.00	8xø.88	7.88	7.10	16.50
6	4.00	6.00	8.50	12.50	0.06	1.44	15.88	12xø.88	10.62	7.75	19.70
Class 600, 1 1/2"-6"											
1 1/2	0.97	1.50	2.88	6.12	0.25	1.13	9.50	4xø.88	4.50	4.34	9.00
2	1.50	2.00	3.62	6.50	0.25	1.28	11.50	8xø.75	5.00	5.00	9.00
3	2.00	3.00	5.00	8.25	0.25	1.50	14.00	8xø.88	6.62	6.23	16.50
4	3.00	4.00	6.19	10.75	0.25	1.75	17.00	8xø.100	8.50	7.11	19.70
6	4.00	6.00	8.50	14.00	0.25	2.14	22.00	12xø.112	11.50	8.30	43.00

