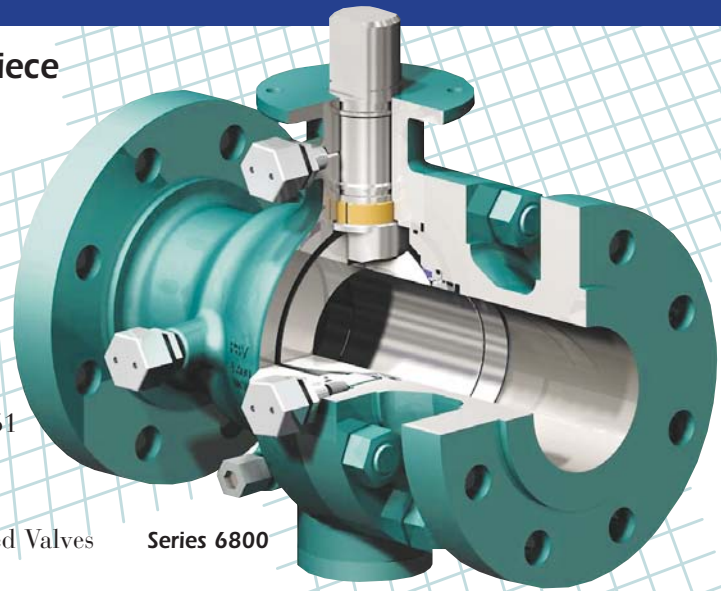


The PBV® Series 6800 Flanged, Two-Piece Cast Trunnion Supported Ball Valves

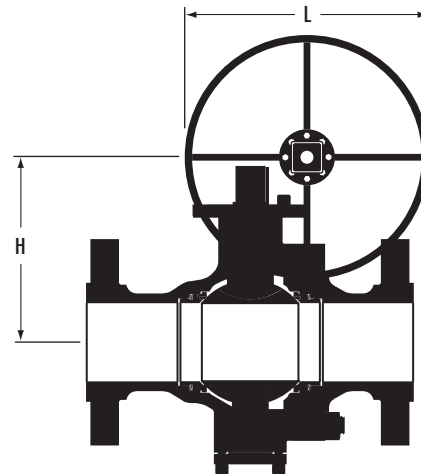
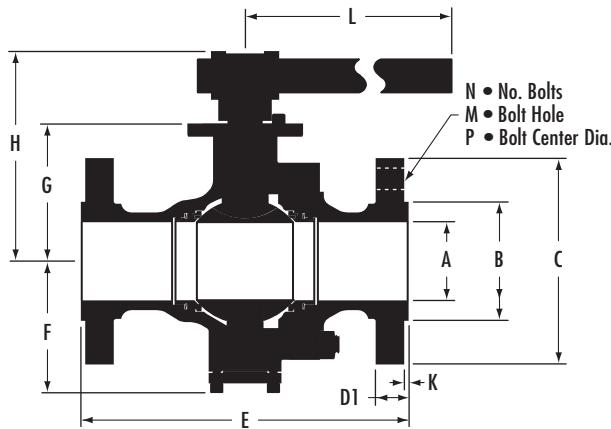
Standard Features

- WCB/WCC Cast Bodies and Adapters
- 316 Stainless Steel Standard on Internal Trim (Ball, Seat and Stems) 2" -150 thru 6" -600
- O-ring Stem Seal Design backed by Firesafe Seal
- Valves Built to API 6D
- Valves meet ASME B16.34, B16.10, B16.5 and BS 5351
- ISO 5211 Compatible Mounting Pads
- Fire tested to API 6FA
- Locking Devices Standard for Lever or Gear Operated Valves
- All Materials Meet NACE MR0175 2002
- Emergency Seat Sealant Injection Standard On 6" Bore And Larger



Series 6800

Dimensional Data (in.)



For valves 6" and above with gear operator

6800, Full Port

Valve Sz (in)	Class	A	B	C	D1	E	F	G	H	K	N	M	P	L	Ship Wt (lbs)
2	150	2.06	3.62	6.00	0.62	7.00	4.30	3.94	6.53	0.06	4	0.75	4.75	17.00	43
	300	2.06	3.62	6.50	0.88	8.50	4.30	3.94	6.53	0.06	8	0.75	5.00	17.00	49
	600	2.06	3.62	6.50	1.25	11.50	4.30	4.13	6.41	0.25	8	0.75	5.00	20.00	54
3	150	3.13	5.00	7.50	0.75	8.00	5.80	4.88	7.17	0.06	4	0.75	6.00	20.00	81
	300	3.13	5.00	8.25	1.12	11.12	5.80	4.88	7.17	0.06	8	0.88	6.62	20.00	104
	600	3.13	5.00	8.25	1.50	14.00	5.80	5.38	9.28	0.25	8	0.88	6.62	28.00	106
4	150	4.06	6.19	9.00	0.94	9.00	6.86	6.10	10.01	0.06	8	0.75	7.50	28.00	110
	300	4.06	6.19	10.00	1.25	12.00	6.86	7.06	10.97	0.06	8	0.88	7.88	28.00	149
	600	4.06	6.19	10.75	1.75	17.00	6.86	7.06	10.97	0.25	8	1.00	8.50	28.00	196
6	150	6.00	8.50	11.00	1.00	15.50	8.27	8.75	10.91	0.06	8	0.88	9.50	18.00	242
	300	6.00	8.50	12.50	1.44	15.87	8.27	8.75	10.91	0.06	12	0.88	10.62	18.00	286
	600	6.00	8.50	14.00	2.13	22.00	8.27	8.75	10.91	0.25	12	1.12	11.50	18.00	424
8	150	8.00	10.62	13.50	1.12	18.00	10.62	10.94	13.06	0.06	8	0.88	11.75	24.00	375
	300	8.00	10.62	15.00	1.62	19.75	10.62	10.94	13.06	0.06	12	1.00	13.00	24.00	492
	600	8.00	10.62	16.50	2.44	26.00	10.62	10.94	13.06	0.25	12	1.25	13.75	24.00	820
10	150	10.00	12.75	16.00	1.19	21.00	12.17	12.50	14.63	0.06	12	1.00	14.25	24.00	596
	300	10.00	12.75	17.50	1.88	22.38	12.17	12.50	14.63	0.06	16	1.12	15.25	24.00	772
12	150	12.00	15.00	19.00	1.25	24.00	13.74	14.13	16.25	0.06	12	1.00	17.00	24.00	874
	300	12.00	15.00	20.50	2.00	25.50	13.74	14.13	16.25	0.06	16	1.25	17.75	24.00	1137